



Parts Information:
Pull-Along Pressure Washer with TSS
140bar 1800W/230V
Model No: PW2000PA

Item	Part No.	Description	Qty
1	PW2000PA.B01	Top Cover Plug	1
2	PW2000PA.B02	Detergent Bottle Hook	1
3	PW2000PA.B03	Metal Handle (Rear)	1
4	PW2000PA.B04	Front Cover	1
5	PW2000PA.B05	Warning Label	1
6	PW2000PA.B06	Pressure Gun Holder	1
7	PW2000PA.B07	Centre Handle (Top)	1
8	PW2000PA.B08	Centre Handle (Bottom)	1
9	PW2000PA.B09	Knob, Plastic, HV Green Top Ø50mm x 43mm (10mm F)	1
10	PW2000PA.B10	Rotary Knob Cover	1
11	PW2000PA.B11	Metal Handle Cover	1
12	PW2000PA.B12	Handle Sleeve	1
13	PW2000PA.B13	Metal Handle (Front)	1
14	PW2000PA.B14	Metal Handle Support (Left)	1
15	PW2000PA.B15	Metal Handle Support (Right)	1
16	PW2000PA.B16	Self Tapping Screw	2
17	PW2000PA.B17	Capacitor 0.22µF 275V AC 40/110/56/B (c/w Wiring Loom)	1
18	PW2000PA.B18	Switch Box Assembly	1
19	PW2000PA.B19	Switch Lever	1
20	PW2000PA.B20	O-Ring	1
21	PW2000PA.B21	Self-Tapping Screw	2
22	PW2000PA.B22	Self-Tapping Screw	11
23	PW2000PA.B23	U-Pin	1
24	PW2000PA.B24	Inlet Elbow	1
25	PW2000PA.B25	Main Switch	1
26	PW2000PA.B26	Water Inlet	1
27	PW2000PA.B27	Self-Tapping Screw	4
28	PW2000PA.B28	Switch Box (Back)	1
29	PW2000PA.B29	Self-Tapping Screw	2
30	PW2000PA.B30	Waterproof Plug	1
31	PW2000PA.B31	O-Ring	1
32	PW2000PA.B32	Waterproof Cap	2

Item	Part No.	Description	Qty
33	PW2000PA.B33	Switch Box Cover (Front)	1
34	PW2000PA.B34	Self-Tapping Screw	1
35	PW2000PA.B35	Deflector Cover	1
36	PW2000PA.B36	Rear Cover	1
37	PW2000PA.B37	Motor Fan Cover	1
38	PW2000PA.B38	Waterproof Seal	2
39	PW2000PA.B39	Motor Support	1
40	PW2000PA.B40	Motor & Pump Assembly	1
41	PW2000PA.B41	Front Filter	1
42	PW2000PA.B42	Pump Base	1
43	PW2000PA.B43	Self Tapping Screw	2
44	PW2000PA.B44	Back Cover	1
45	PW2000PA.B45	Wheel, Plastic, Swivel Castor, Single Bolt (w/ Brake)(Ø70 x 58 x 122mm)	2
46	PW2000PA.B46	Pressure Gun Holder Base	1
47	PW2000PA.B47	Pressure Gun Holder	1
48	PW2000PA.B48	Cable Plate	1
49	PW2000PA.B49	Cable Grip	1
50	PW2000PA.B50	Rating Label	1
51	PW2000PA.B51	Roller Assembly	2
52	PW2000PA.B52	Wheel, Rear Fixed (Ø165 x 40 x Ø20mm Bore)	1
53	PW2000PA.B53	Fixed Rear Wheel Cover	1
54	PW2000PA.B54	Power Cord	1
55	PW2000PA.B55	High Pressure Hose Hook	2
56	PW2000PA.B56	Detergent Bottle	1
57	PW2000PA.B57	Self Tapping Screw	17
58	PW2000PA.B58	Nozzle Holder	1
59	PW2000PA.B59	Variable Spray Nozzle 90° (Angled)	1
60	PW2000PA.B60	Turbo Jet Nozzle	1
61	PW2000PA.B61	Variable Spray Nozzle	1
62	PW2000PA.B62	Pressure Gun	1
63	PW2000PA.B63	Pressure Lance	1
64	PW2000PA.B64	High Pressure Hose 5m	1

NOTE: It is our policy to continually improve products and as such we reserve the right to alter data, specifications and component parts without prior notice. There may be alternative versions of this product, please contact us should you require this information.

IMPORTANT: No liability is accepted for incorrect use of product. Spare parts must be fitted by a competent person

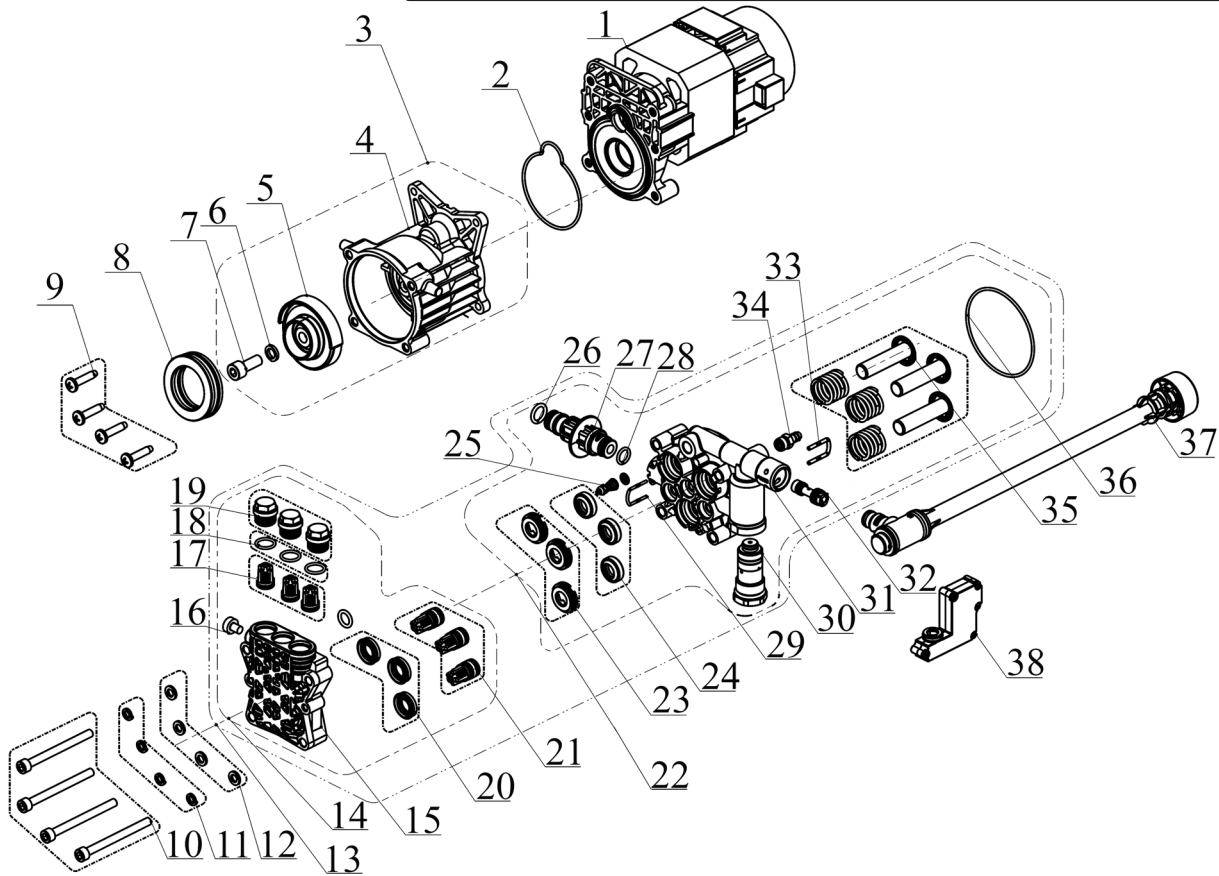
WARRANTY: Guarantee is 12 months from purchase date, proof of which will be required for any claim.

Jack Sealey Ltd t/a Sealey Group, Kempson Way, Suffolk Business Park, Bury St Edmunds, Suffolk, IP32 7AR UK

Jack Sealey (EU) Ltd t/a Sealey Group, Farney Street, Carrickmacross, Co. Monaghan, A81 PK68 Ireland

Tel: 01284 757500 · Email: sales@sealey.co.uk · Web: www.sealey.co.uk

Parts Information:
Pull-Along Pressure Washer with TSS
140bar 1800W/230V
Model No: PW2000PA



Item	Part No.	Description	Qty
1	PW2000PA.M01	Motor	1
2	PW2000PA.M02	Motor Seal	1
3	PW2000PA.M03	Gearbox Assembly	1
4	PW2000PA.M04	Gearbox	1
5	PW2000PA.M05	Wobble Plate	1
6	SWM8.S	Spring Washer M8	1
7	SCB820.SB	Socket Cap Bolt M8 x 20mm Black	1
8	B/51107	Bearing Race 51107	1
9	MSP525.S	Machine Screw Pan Head Phillips M5 x 25mm	4
10	SCB670.SB	Socket Cap Bolt M6 x 70mm Black	4
11	SWM6.SB	Spring Washer M6 Black	4
12	FWM6.SB	Flat Washer M6 Black	4
13	PW2000PA.M13	Pump Assembly	1
14	PW2000PA.M14	Pump Head Assembly	1
15	PW2000PA.M15	Pump Head	1
16	PW2000PA.M16	Pump Head Plug	1
17	PW2000PA.M17	Outlet Check Valve Assembly	3
18	840.V2-M18	O-Ring (15.98 x 12.42 x 1.78mm)	3
19	PW2000PA.M19	Check Valve Nut	3

Item	Part No.	Description	Qty
20	PW2000PA.M20	Y-Seal 20 x 12mm	3
21	PW2000PA.M21	Inlet Valve Assembly	3
22	PW2000PA.M22	Pump Assembly	1
23	PW2000PA.M23	Water Seal Support	3
24	PW2000PA.M24	Water Seal	3
25	PW2000PA.M25	Check Valve	1
26	PW2000PA.M26	O-Ring (16.50 x 11.50 x 2.50mm)	1
27	PW2000PA.M27	Water Inlet Pipe	1
28	PW2000PA.M28	O-Ring (14.40 x 10 x 2.20mm)	1
29	PW2000PA.M29	U-Pin	1
30	PW2000PA.M30	Relief Valve Assembly	1
31	PW2000PA.M31	Pump Body	1
32	PW2000PA.M32	Pump Body Valve	1
33	PW2000PA.M33	U-Pin (2.6 x 24.5 x 13mm)	1
34	PW2000PA.M34	Suction Head Assembly	1
35	PW2000PA.M35	Piston/Plunger Assembly	3
36	PW2000PA.M36	O-Ring 70 x 2mm	1
37	PW2000PA.M37	Quick Connector Lance	1
38	PW2000PA.M38	Microswitch Box Assembly	1

NOTE: It is our policy to continually improve products and as such we reserve the right to alter data, specifications and component parts without prior notice. There may be alternative versions of this product, please contact us should you require this information.

IMPORTANT: No liability is accepted for incorrect use of product. Spare parts must be fitted by a competent person

WARRANTY: Guarantee is 12 months from purchase date, proof of which will be required for any claim.